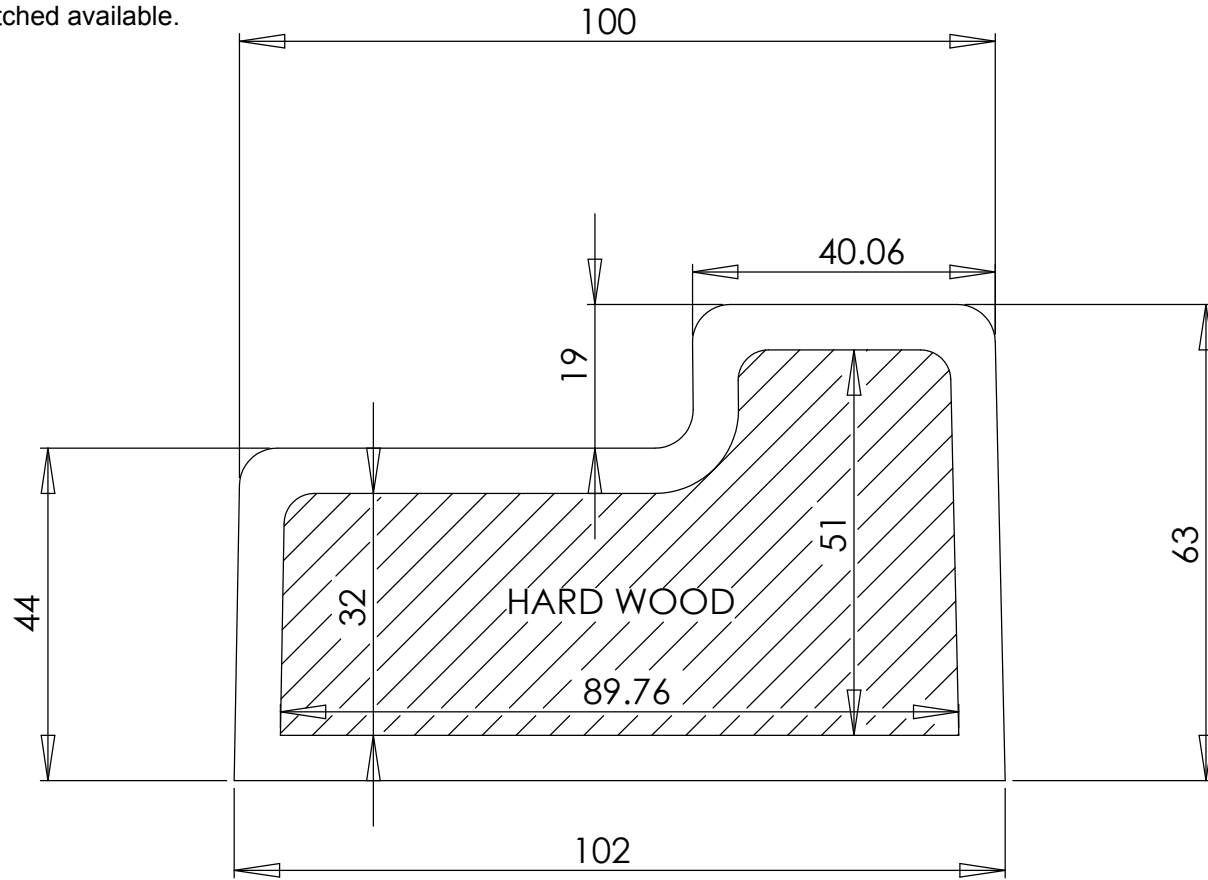


Solid surface material approx 6mm thickness.
 Wide range of colours available.
 Bonding kit, colour matched available.
 Section length 2110m



PROPRIETARY AND CONFIDENTIAL
 THE INFORMATION CONTAINED IN THIS DRAWING IS THE SOLE PROPERTY OF <INSERT COMPANY NAME HERE>. ANY REPRODUCTION IN PART OR AS A WHOLE WITHOUT THE WRITTEN PERMISSION OF <INSERT COMPANY NAME HERE> IS PROHIBITED.

		UNLESS OTHERWISE SPECIFIED:		NAME	DATE	LAMPLAS LTD	
		TOLERANCES: FRACTIONAL ±		DRAWN	PJ	TITLE:	
		ANGULAR: MACH ± BEND ±		CHECKED		DOOR FRAME PROFILE	
		TWO PLACE DECIMAL ±		ENG APPR.			
		THREE PLACE DECIMAL ±		MFG APPR.			
		INTERPRET GEOMETRIC TOLERANCING PER:		Q.A.			
		MATERIAL		COMMENTS:			
		SOLID SURFACE				SIZE	DWG. NO.
		FINISH				A	001
NEXT ASSY	USED ON						REV
APPLICATION		DO NOT SCALE DRAWING				SCALE: 1:1	SHEET 1 OF 1